



Read this document carefully before using this device. The guarantee will be expired by device damages if you don't attend to the directions in the user manual. Also we don't accept any compensations for personal injury, material damage or capital disadvantages.

ENDA ESHT-102 Relative Humidity and Temperature Transmitter

Thank you for choosing ENDA ESHT-102 relative humidity and temperature transmitter devices.

- * 0 ... 100.0% RH Humidity Measurement.
- * -40.0 - +60°C Temperature Measurement. (For wall-mounted types).
- * -40.0 - +125°C Temperature Measurement. (For cabled and duct types).
- * Selectable 0-20mA or 0-10V output.
- * Cabled, Wall-mounted or duct type installations.
- * Screw-terminal Connection.
- * CE Marked according to European Norms.

ORDER CODE : **ESHT-102 - CB - 150**

Product Basic Code	
Humidity and Temperature Transmitter	

Montage Type	
Wall-mounted	-
Wall-mounted	W
Cabled connection	CB
Duct mounted	DC

Immersion Length	
50	50mm.
150	150mm.
250	250mm.
350	350mm.



TECHNICAL SPECIFICATIONS

SPECIFICATIONS	ESHT-102	ESHT-102-W-50	ESHT-102-CB-x50	ESHT-102-DC-x50
Montage Type	Wall-mounted		1,5m. Cabled.	Duct Mounted
Immersion Length	50mm		150/250/350mm (Specify at order).	
Weight	125 gr.		315 gr. for 150mm., 365 gr. for 250mm., 430 gr. for 350mm.	200 gr. for 150mm., 250 gr. for 250mm., 315 gr. for 350mm.
Humidity Range	0 ... 100 % RH (Shouldn't be icing and condensation in the ambient).			
Temperature Range	-40 ... +60°C (Shouldn't be icing and condensation)	-40 ... +125°C (Shouldn't be icing and condensation)	-40 ... +125°C (Shouldn't be icing and condensation in the ambient)	
Accuracy	±2 % RH (20 ~ 80 % for RH range), ±4 % RH (0 ~ 100 % for RH range), ±0,5°C (for 20 ~ 40°C range), ±1°C (for 0 ~ 60°C range), ±2°C (for -40 ~ 0°C range).			
Response Time	63% Humidity variation for 7 seconds (with 1m/sec airflow at 25°C). 63% Temperature variation for 5 seconds (with 1m/sec airflow at 25°C).			
Supply	15-35V DC or 10-25V AC			
Outputs	0-20mA DC or 0-10V DC selectable on device. (For current output load resistance max. 500 Ω).			
Power Consumption	Max. 7VA			
Wiring	1,5mm² screw-terminal connections			
EMC	EN 61326-1: 2013			

ENVIRONMENTAL CONDITIONS

Ambient/storage temperature	-40 ... +60°C (Shouldn't be icing and condensation in the ambient.)
Rated pollution degree	IP65 according to EN 60529
Height	Max. 2000m



Do not use the device in locations subject to corrosive and flammable gases.

HOUSING

Housing type	Wall-mounted.
Dimensions	L137xW58xH35mm
Weight	Approx. 150g (after packing)
Enclosure material	Self extinguishing plastics. (According to EN 60695-11-10 standards V-0)

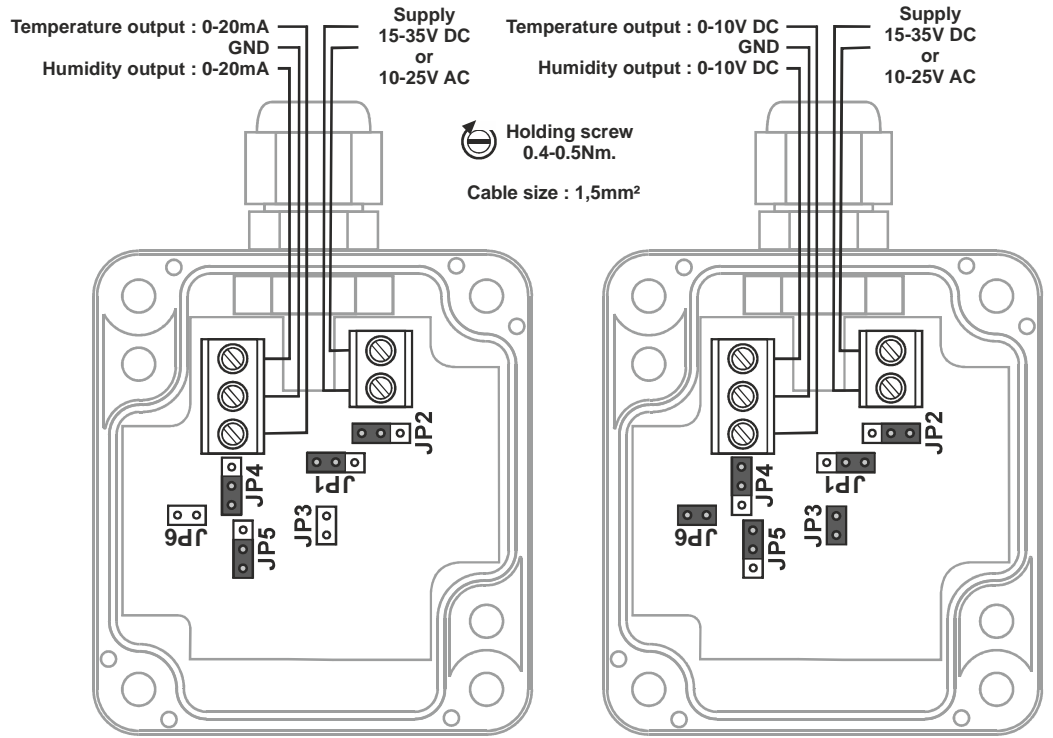
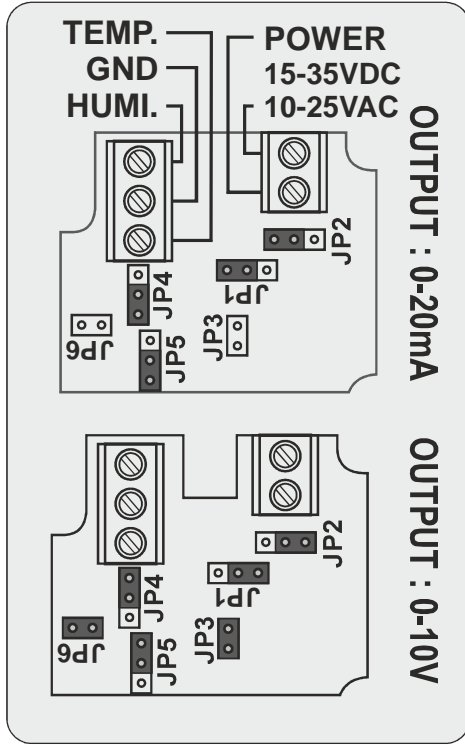


While cleaning the device, solvents (thinner, benzene, acid etc.) or corrosive materials must not be used.

up to date: 10.05.2019, modification reserved and can be change any time previous notice !

CONNECTION DIAGRAM

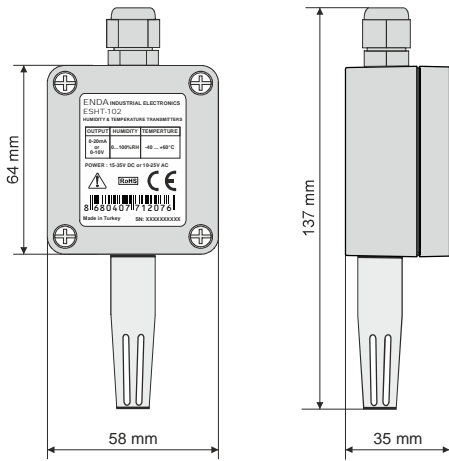
ESHT-102 temperature and humidity outputs of the device can be set to 0-10 V or 0-20 mA. Heat output (JP1, JP2, JP3), humidity output (JP4, JP5, JP6) can be replaced by jumpers.



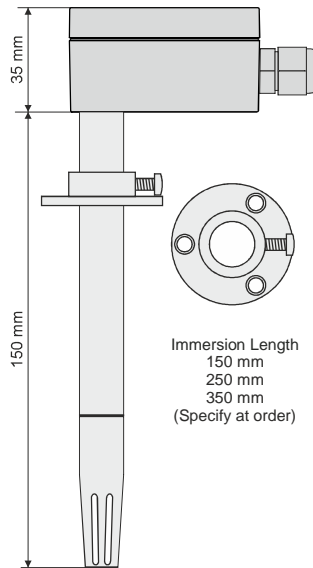
! ENDA ESHT-102 Series humidity and temperature transmitter devices are intended for wall-mounted or duct type installations. Make sure that the device is used only for intended purpose. The electrical connections must be carried out by a qualified staff and must be according to the relevant locally applicable regulations. During an installation, all of the cables that are connected to the device must be free of electrical power. The device must be protected against inadmissible humidity, vibrations, severe soiling. Make sure that the operation temperature is not exceeded. The cables should not be close to the power cables or components.

DIMENSIONS

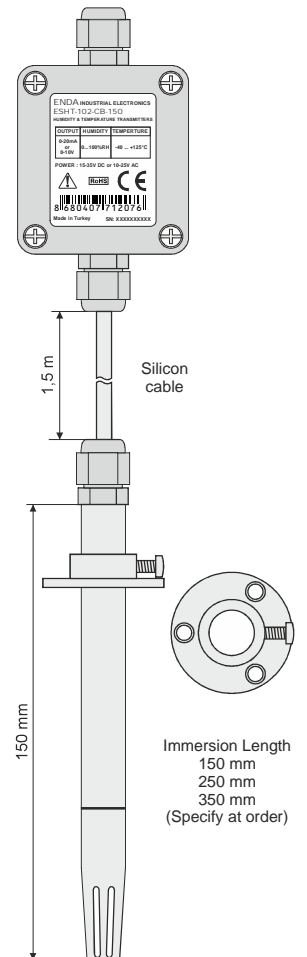
ESHT-102 & ESHT-102-W-50 WALL-MOUNTED



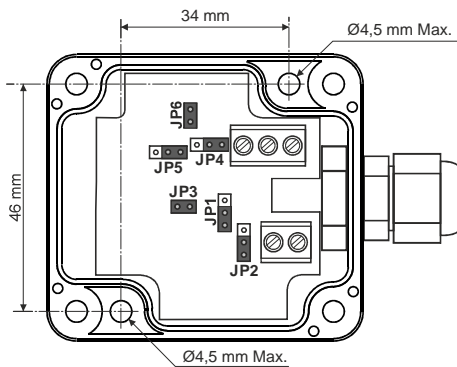
ESHT-102-DC-x50 DUCT TYPE



ESHT-102-CB-x50 CABLED TYPE



INSTALLATION



For best measurement, device must be mounted to where the air flow exist and measurement part must turned to down.